

MZS 31

installed sound microphone shockmount

FEATURES

- Shockmount for MZH goosenecks
- Significantly reduces transmitted body noise from table or lectern
- Non reflective black coating

The **MZS 31** is an unobtrusive but sturdy shockmount for installation in tables, lecterns or other surfaces. It reliably holds a MZH gooseneck and reduces body noise transmitted from the table or lectern to the microphone. It features a non reflective black coating.



ARCHITECT'S SPECIFICATIONS

A sturdy shockmount for gooseneck microphones shall be unobtrusive in design. A rubber notch shall securely hold a gooseneck microphone with a diameter of 19mm (0,74").

It shall reduce the transmission of unwanted body noise from the surface it is installed to.

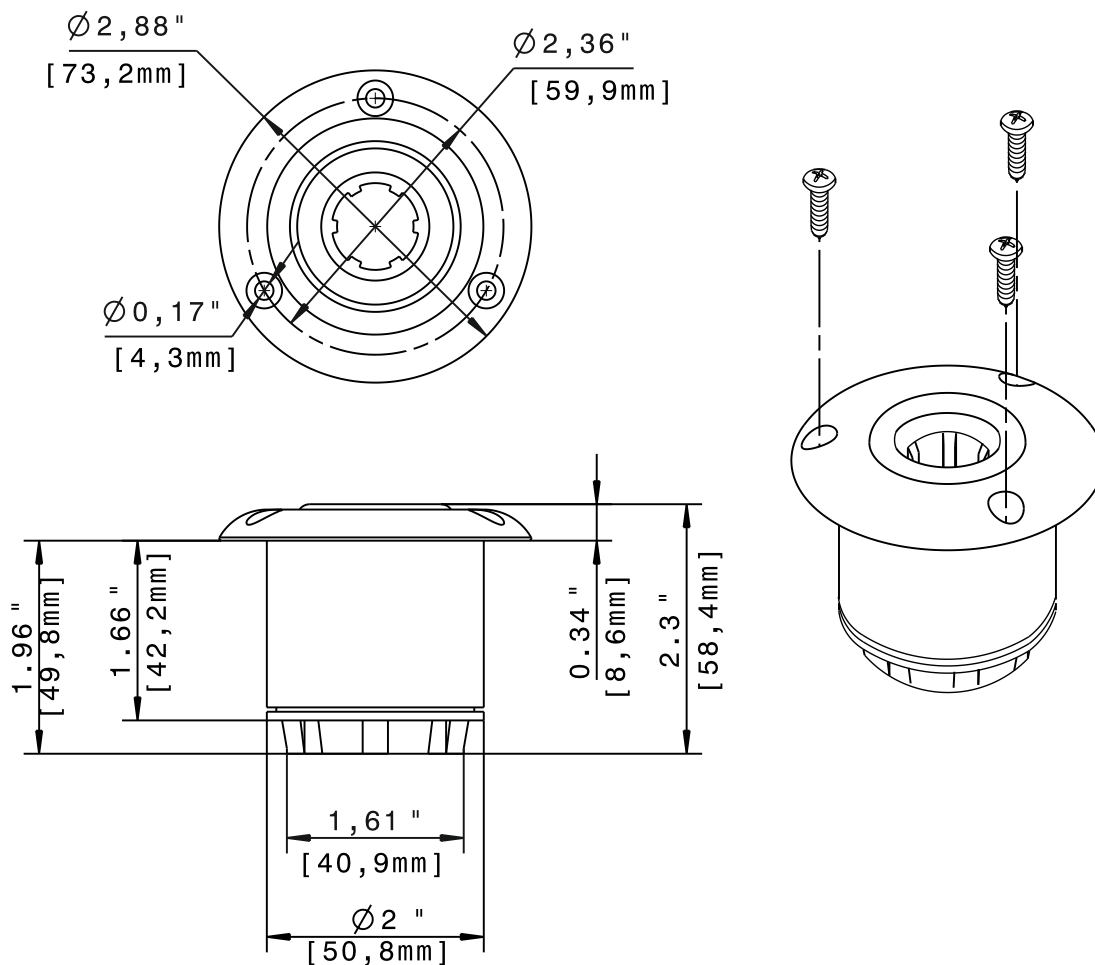
The coating of the shockmount shall be a non reflective black. The shockmount shall be Sennheiser MZS 31.

TECHNICAL DATA

Overall diameter	74mm (2,76")
Overall depth	60mm (2,36")
Depth under flange	50mm (1,97")
Required cut-out hole	51mm (2,01")
Color	matte black
Delivery	MZS 31

MZS 31 installed sound microphone shockmount

DIMENSIONS



PRODUCT VARIANTS

MZS 31, shockmount

Cat.No. 005087

RECOMMENDED ACCESSORIES

MZH 3015, 15cm gooseneck	Cat.No. 005074
MZH 3040, 40cm gooseneck	Cat.No. 005076
MZH 3042, 40cm gooseneck	Cat.No. 009384
MZH 3062, 60cm gooseneck	Cat.No. 500652
MZH 3072, 70cm gooseneck	Cat.No. 500653
MZH 3015-L, 15cm gooseneck, lightring	Cat.No. 009435
MZH 3040-L, 40cm gooseneck, lightring	Cat.No. 009436
MZH 3042-L, 40cm gooseneck, lightring	Cat.No. 009437
MZH 3062-L, 60cm gooseneck, lightring	Cat.No. 500652
MZH 3072-L, 70cm gooseneck, lightring	Cat.No. 500653