

HDE 2020-D Digital Tourguide stethoset receiver

FEATURES

- Digital RF signal reception
- Intuitive operating concept
- 8 hours battery life
- Sturdy earbows
- Backlit LC display
- Large rotary volume control

The **HDE 2020-D** stethoset TourGuide receiver is comfortable to wear and integrates both the receiver and headphones. The powerful battery ensures up to 8 hours operating time. The stethoset receiver automatically deactivates itself the moment that it is taken off, thus battery life will be preserved. Tour participants will be able to individually adjust the volume through a rotary control on the receiver, without the need to even take the device off. The LC display provides information of volume, battery status, quality of reception and the channel being listened to. Channels can easily be set and adjusted by using the middle buttons.



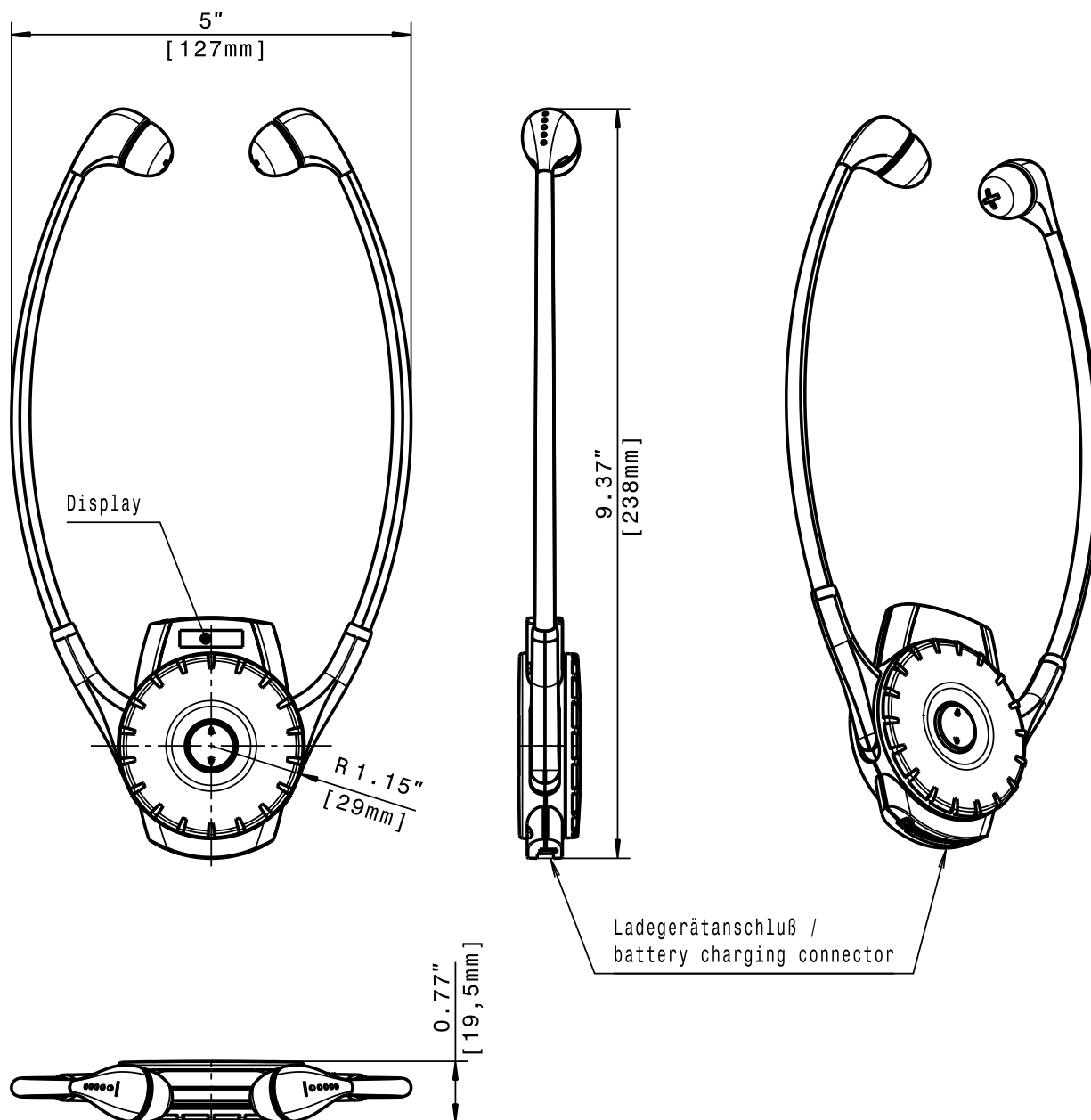
ARCHITECT'S SPECIFICATIONS

TECHNICAL DATA

Modulation:.....	2 FSK
RF frequency range	863 - 865 MHz
	926 - 928 MHz (US-Version)
Number of channels (tourguide mode)	6
Number of channels (conference mode)	8
Frequency response	100 – 7,000 Hz
Sound pressure level	120 dB SPL at 1 kHz
THD at 1 kHz.....	< 1 %
Typical operating time.....	8 hrs
Lithium polymer battery	830 mAh
Operating temperature	0 – 50 °C
Dimensions	245 x 125 x 20 mm
	(9.65" x 4.92" x 0.79")
Weight incl. Battery	70 g (2.47 oz)
Delivery includes.....	HDE 2020-D (10 pcs), Manual

HDE 2020-D Digital Tourguide stethoset receiver

DIMENSIONS



PRODUCT VARIANTS

HDE 2020-D	Cat. No. 500543
HDE 2020-D US	Cat. No. 500544

RECOMMENDED ACCESSORIES

EZL 2020-20	Cat. No. 500542
L2021-40	Cat. No. 502037
Earbuds, black, 5 pairs	Cat. No. 531435
Earbuds, luminescent, 5 pairs	Cat. No. 520379

Sennheiser electronic GmbH & Co. KG
Am Labor 1, 30900 Wedemark, Germany
www.sennheiser.com